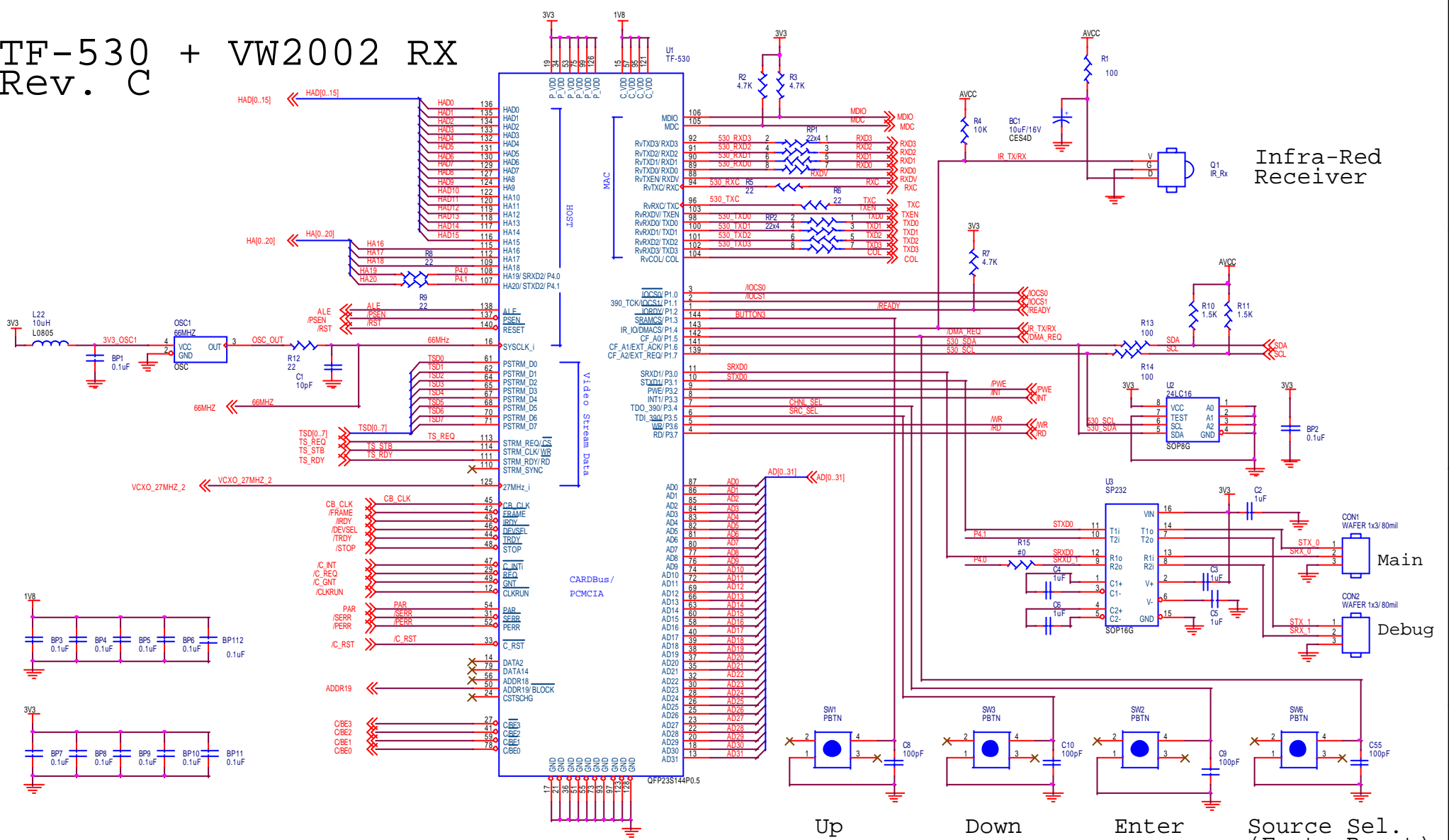
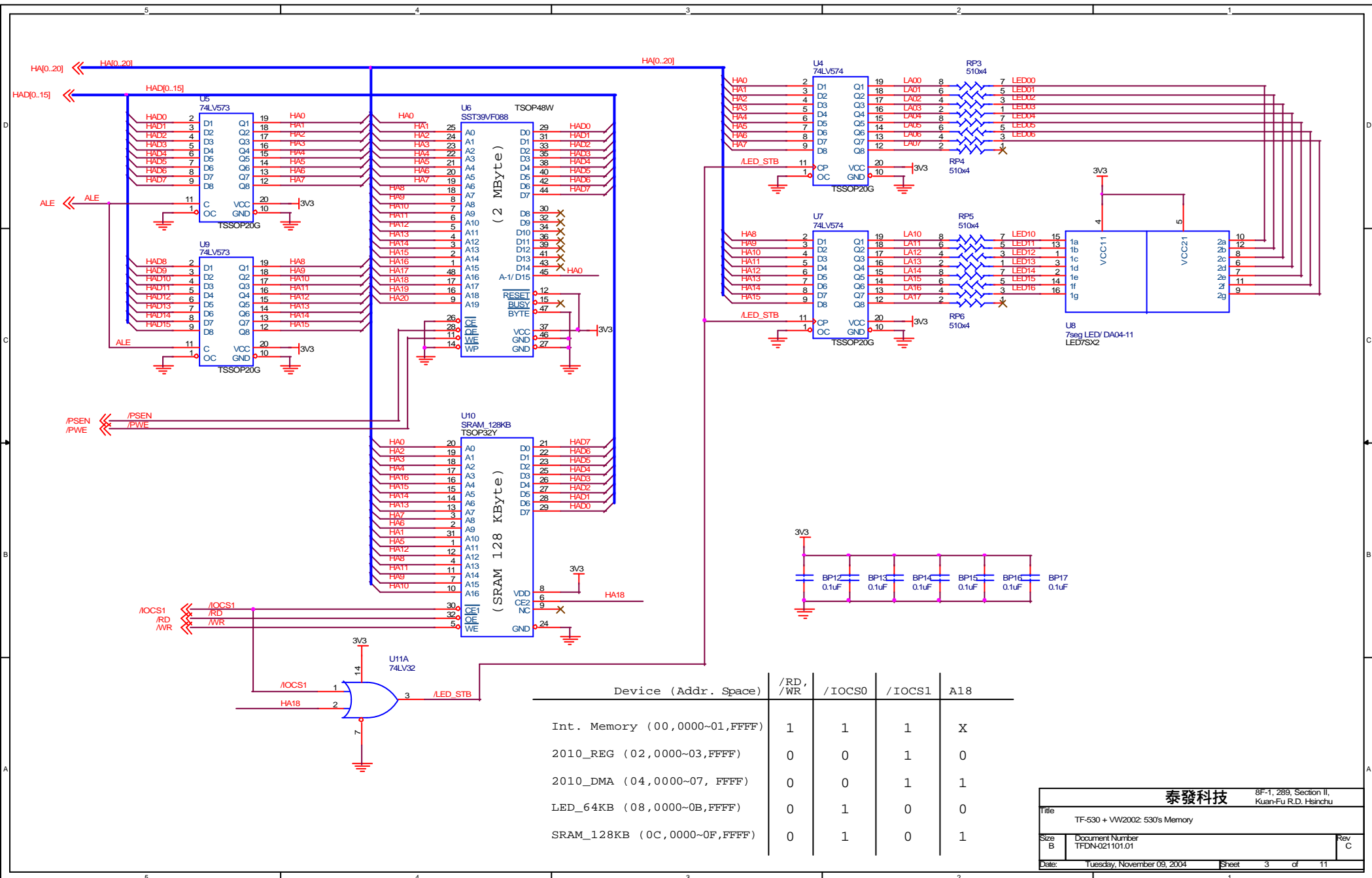


TF-530+VW2002 RX

Date MM/DD/YY	Revision	Description	By
01/14/04	A	First Release.	Chance
04/21/04	B	1. Add Flip-Flop to Card-bus. 2. Change VW2010's HIF to Motolora mode. 3. Add one more address latch (High Addr.). 4. Add one PLD/ 16V8 for glue-logic	Chance
08/17/04	C	1. Change Card-bus to Mini-PCI 2. Change PHY to ADM7001 3. Modify WLAN's power circuitry 4. Add A/V output circuitry 5. Change to VW2002	Chance

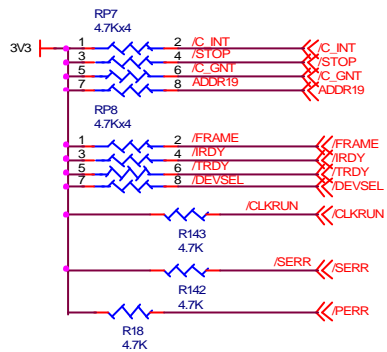
TF-530 + VW2002 RX Rev. C



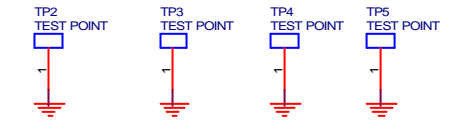
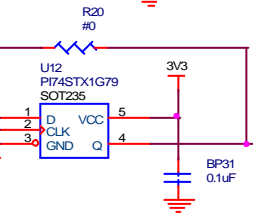
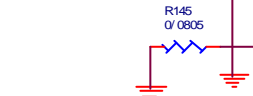
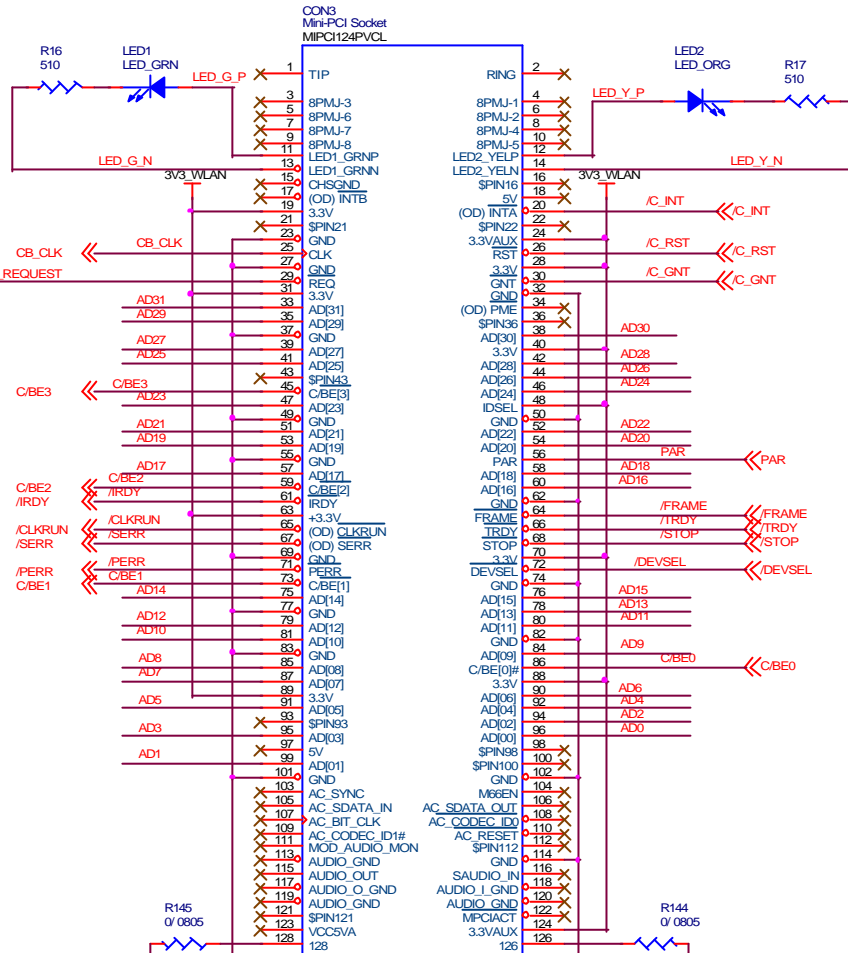
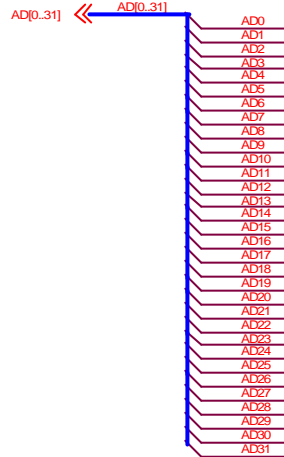
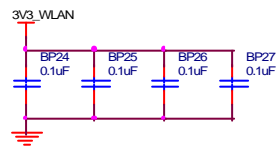
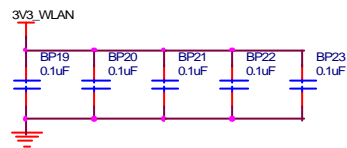


Device (Addr. Space)	/RD, /WR	/IOCS0	/IOCS1	A18
Int. Memory (00,0000-01,FFFF)	1	1	1	X
2010_REG (02,0000-03,FFFF)	0	0	1	0
2010_DMA (04,0000-07, FFFF)	0	0	1	1
LED_64KB (08,0000-0B,FFFF)	0	1	0	0
SRAM_128KB (0C,0000-0F,FFFF)	0	1	0	1

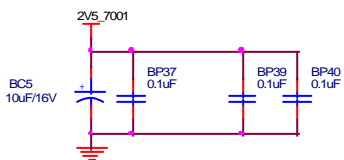
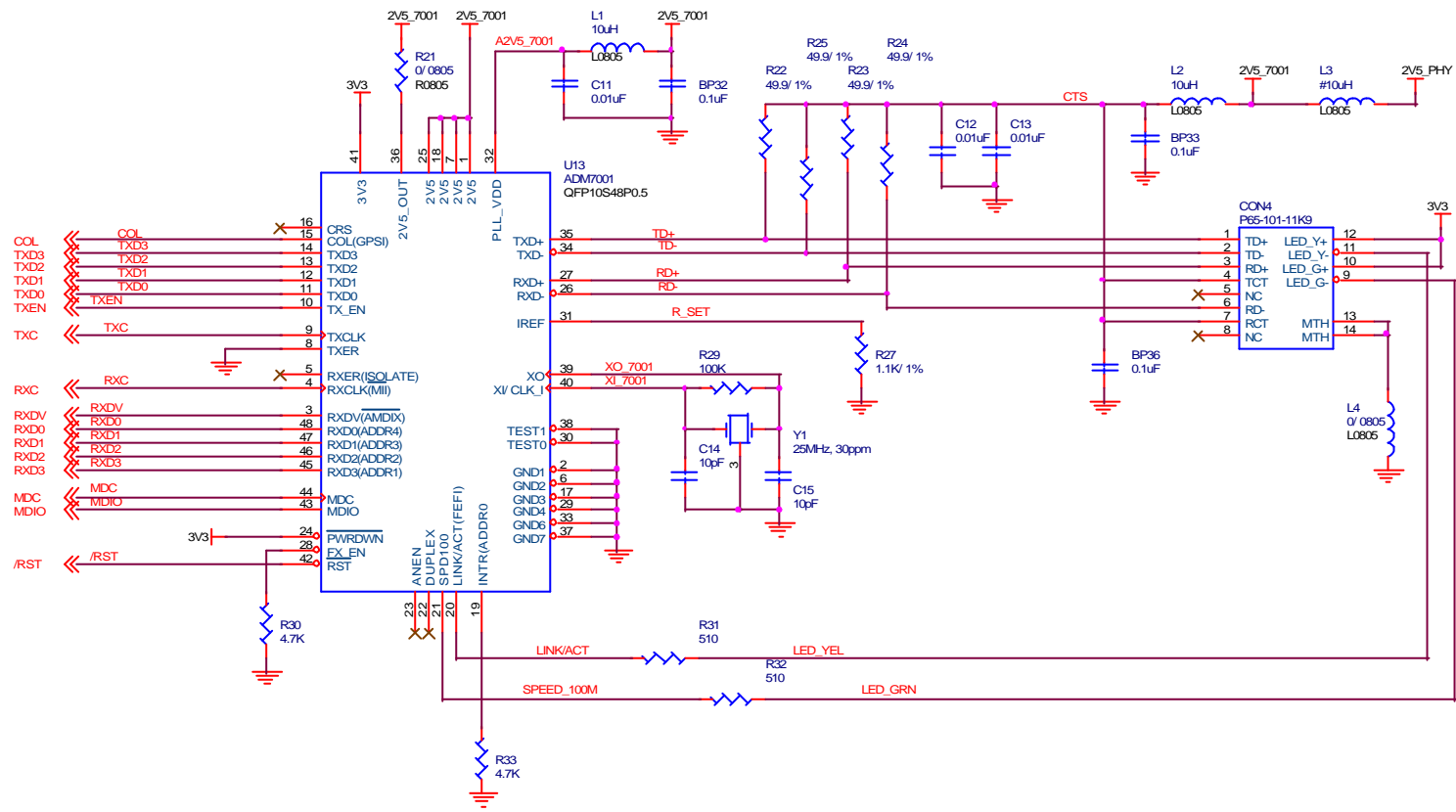
泰發科技		8F-1, 289, Section II, Kuan-Fu R.D. Hsinchu
Title TF-530 + VW2002: 530's Memory		
Size B	Document Number TFDN-021101.01	Rev C
Date: Tuesday, November 09, 2004	Sheet 3	of 11



ADDR19 << ADDR19

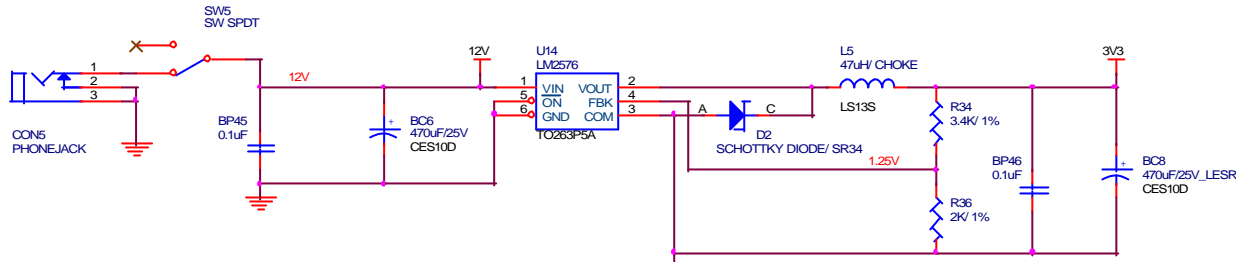


泰發科技		8F-1, 289, Section II, Kuan-Fu R.D. Hsinchu
Title TF-530 + VW2002 RX: Mini-PCI		
Size B	Document Number TFDN-021101.01	Rev C
Date: Tuesday, November 09, 2004	Sheet 4	of 11



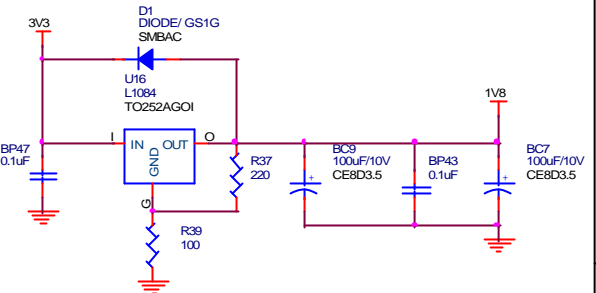
Title		TF-530 + VW2002 RX: LAN PHY
Size	Document Number	TFDN-021101.01
Date:	Tuesday, November 09, 2004	Sheet 5 of 11
		Rev C

DC-12V in

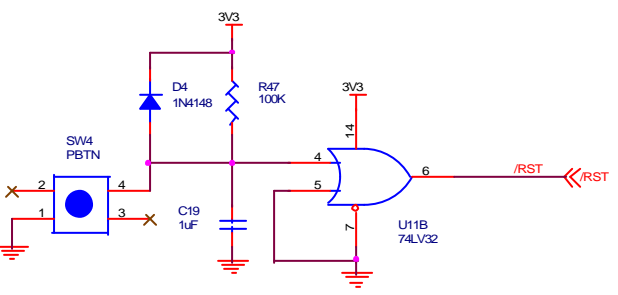
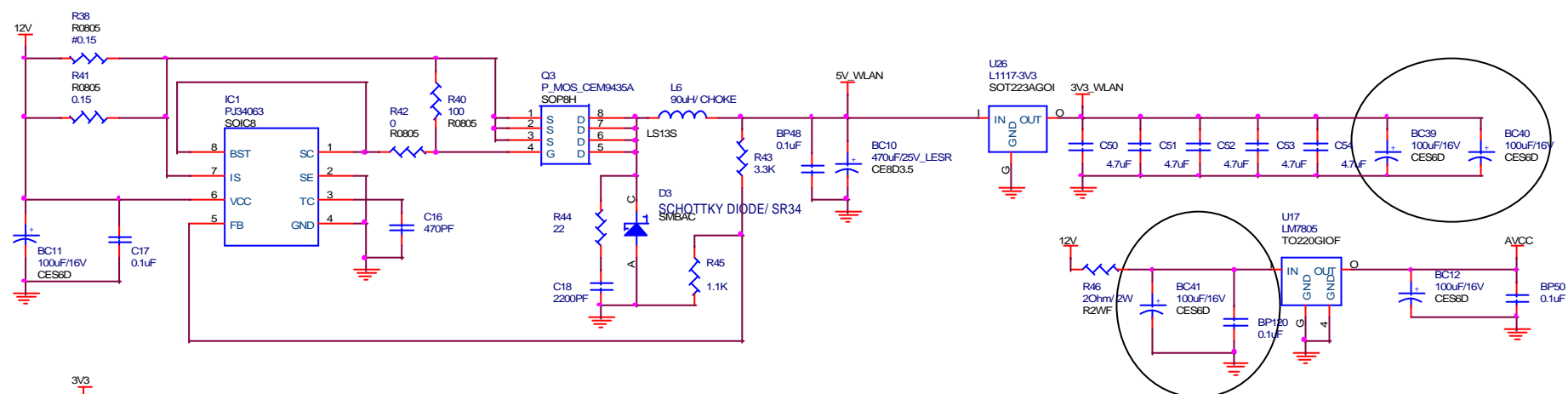


5V → 3V3 (1.5A)

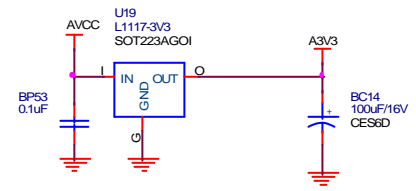
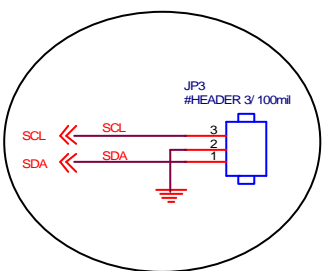
Power Indicator



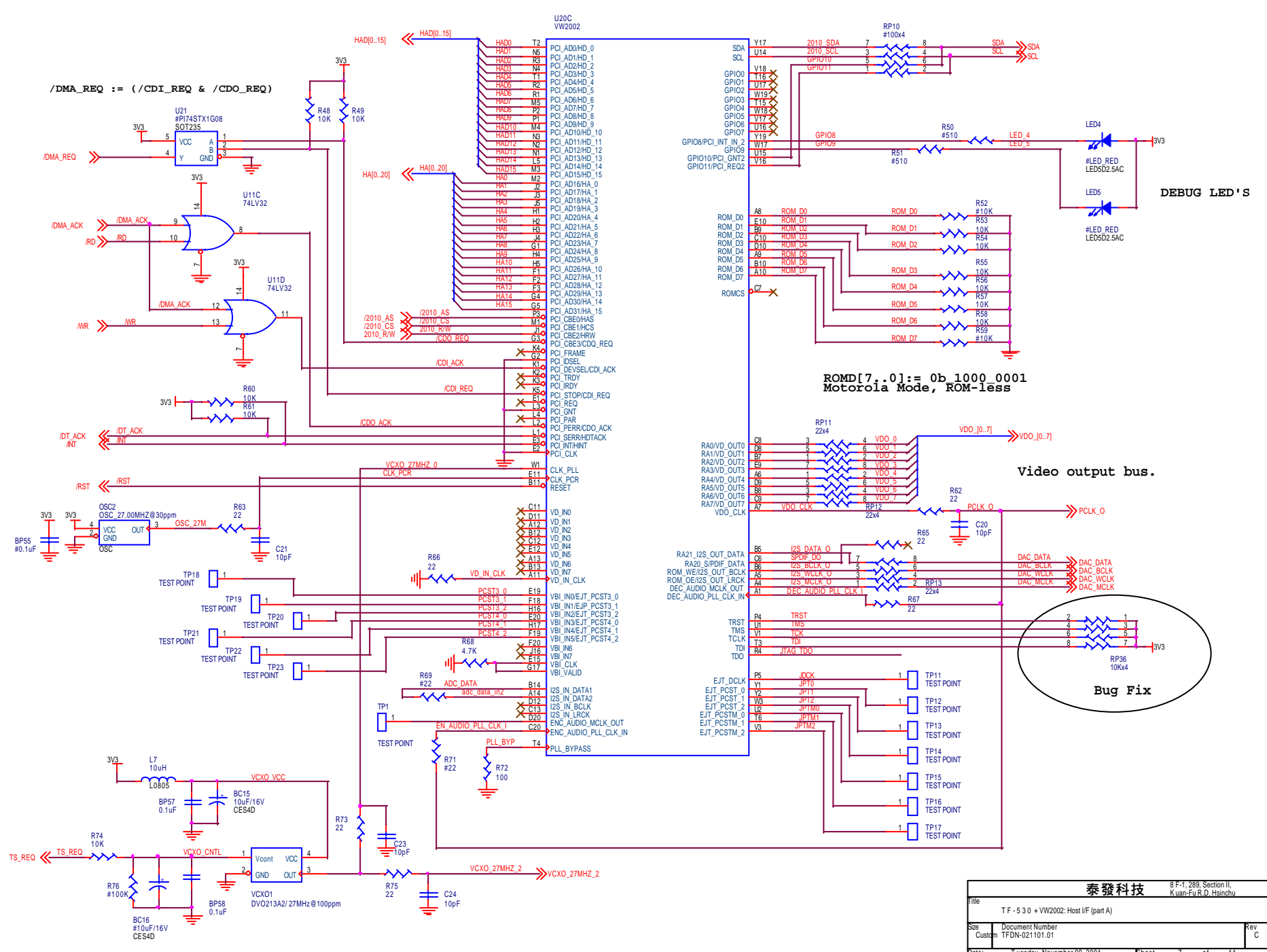
3V3 → 1V8, 1A
(VW2010 & TF-530 Core)



H/W Reset



泰發科技		8F-1, 289, Section II, Kuan-Fu R.D. Hsinchu
Title TF-530 + VW2002: Power & Module Header		
Size B	Document Number TFDN-021101.01	Rev C
Date: Tuesday, November 09, 2004	Sheet 6	of 11



$/DMA_REQ := (/CDI_REQ \& /CDO_REQ)$

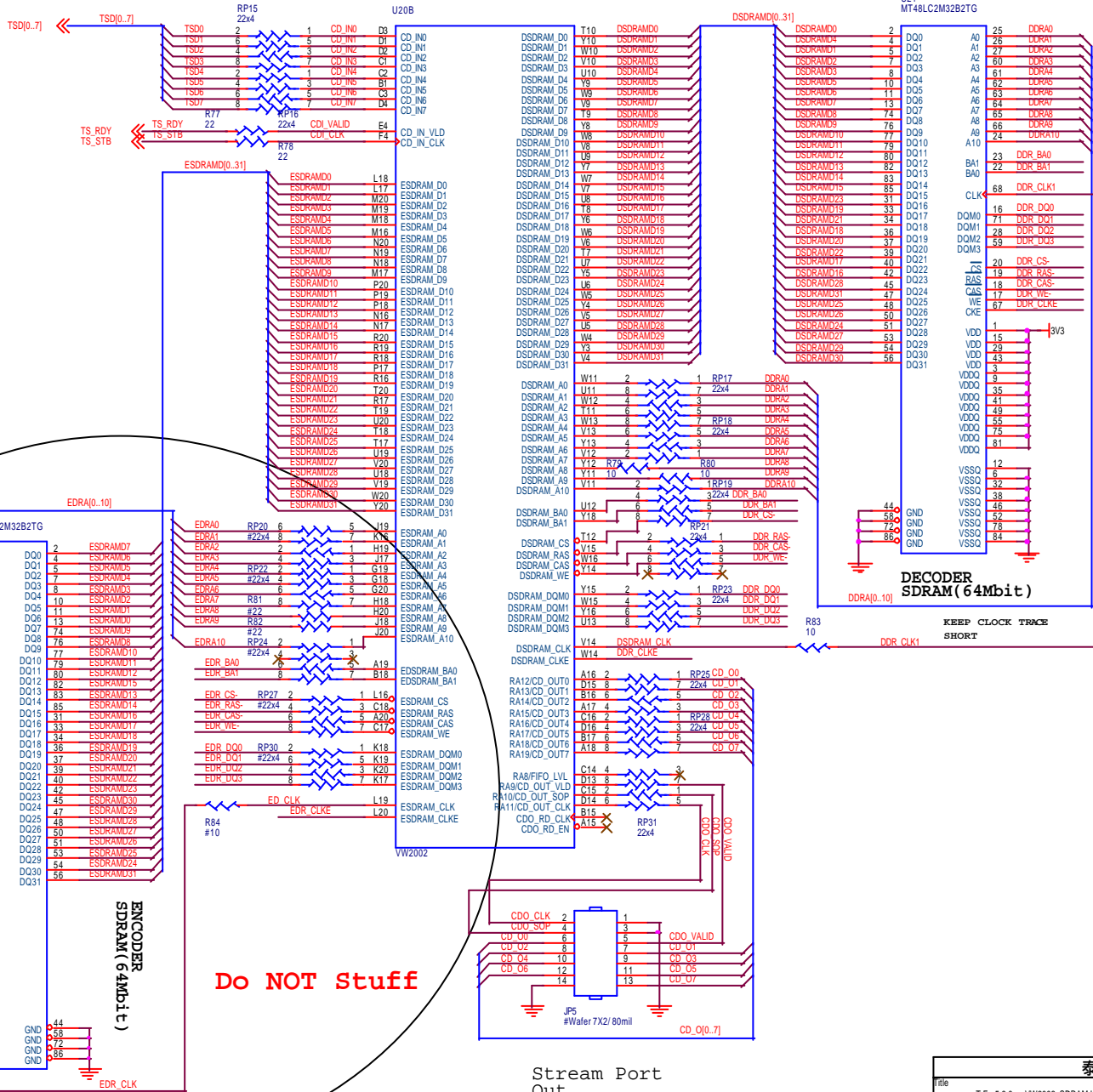
ROMD[7..0] := 0b 1000_0001
Motorola Mode, ROM-less

Video output bus.

Bug Fix

泰發科技		8 F-1, 289, Section II, Kuan-Fu R.D. Hsinchu	
TF - 5 3 0 + VW2002: Host I/F (part A)			
Size	Document Number		Rev
Custom	TFDN-021101.01		C
Date:	uesday, November 09, 2004	Sheet	7 of 11

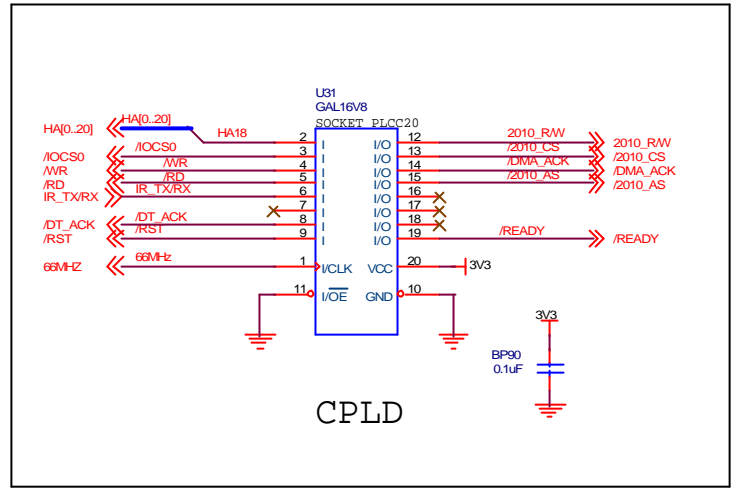
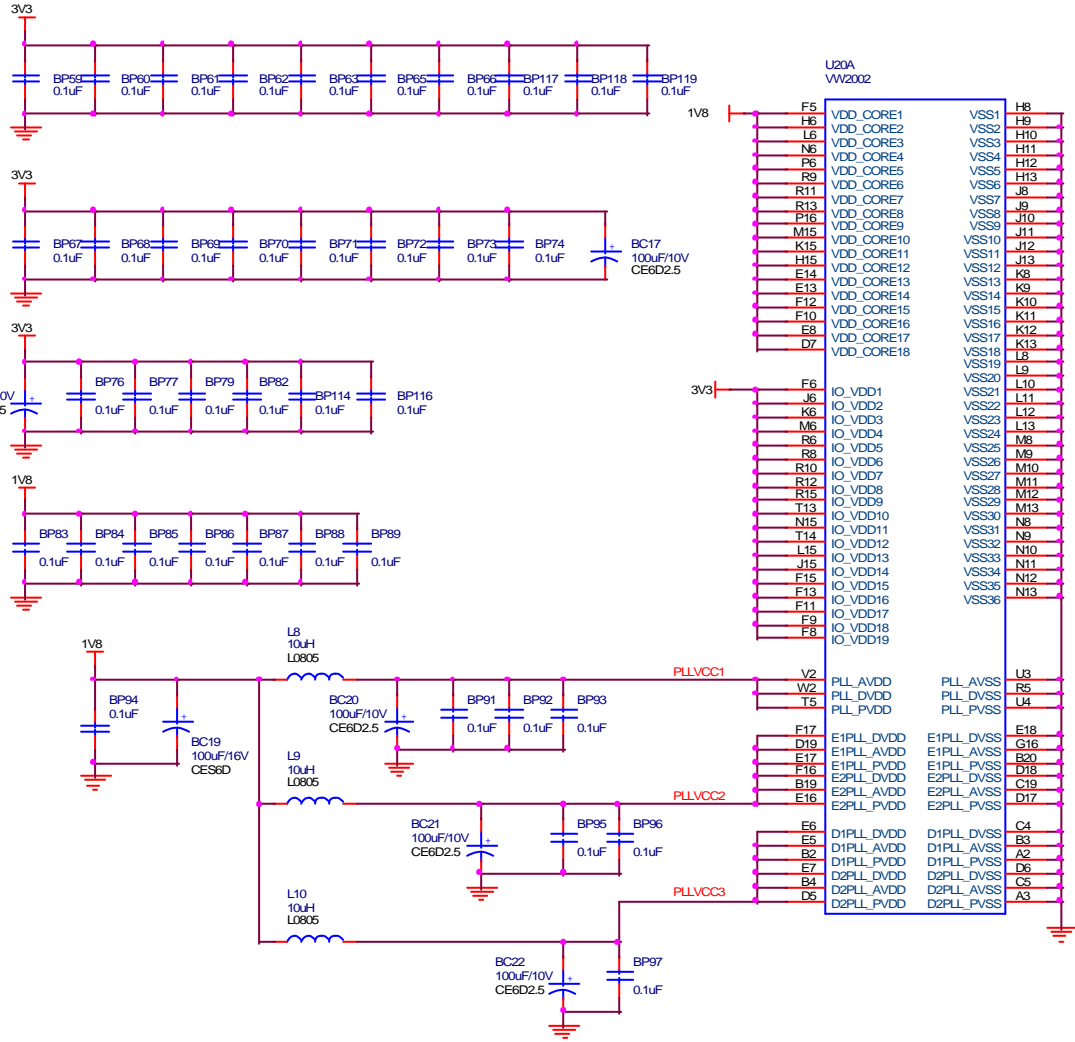
TS data input.



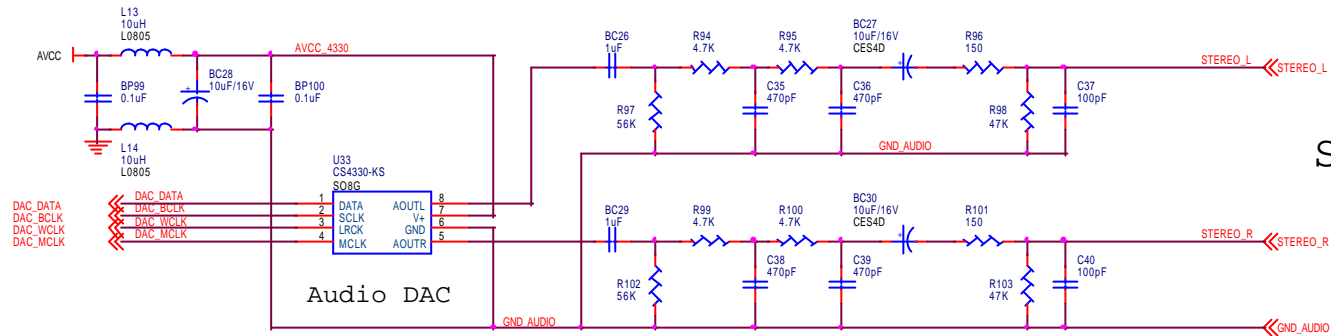
Do NOT Stuff

Stream Port Out

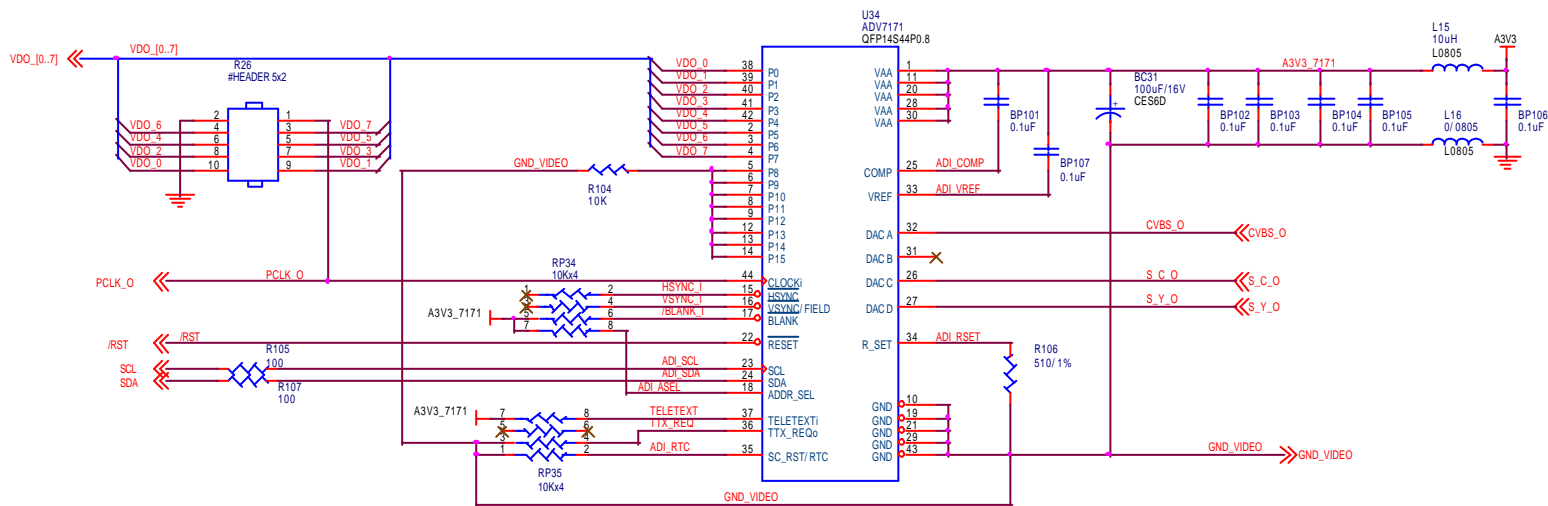
泰發科技		8 F-1, 289, Section II, Kuan-Fu R.D. Hsinchu	
Title TF-5-30 + VW2002: SDRAM I/F (part B)			
Size	Document Number	Rev	
Custom	TFDN-021101.01	C	
Date:	Tuesday, November 09, 2004	Sheet	8 of 11

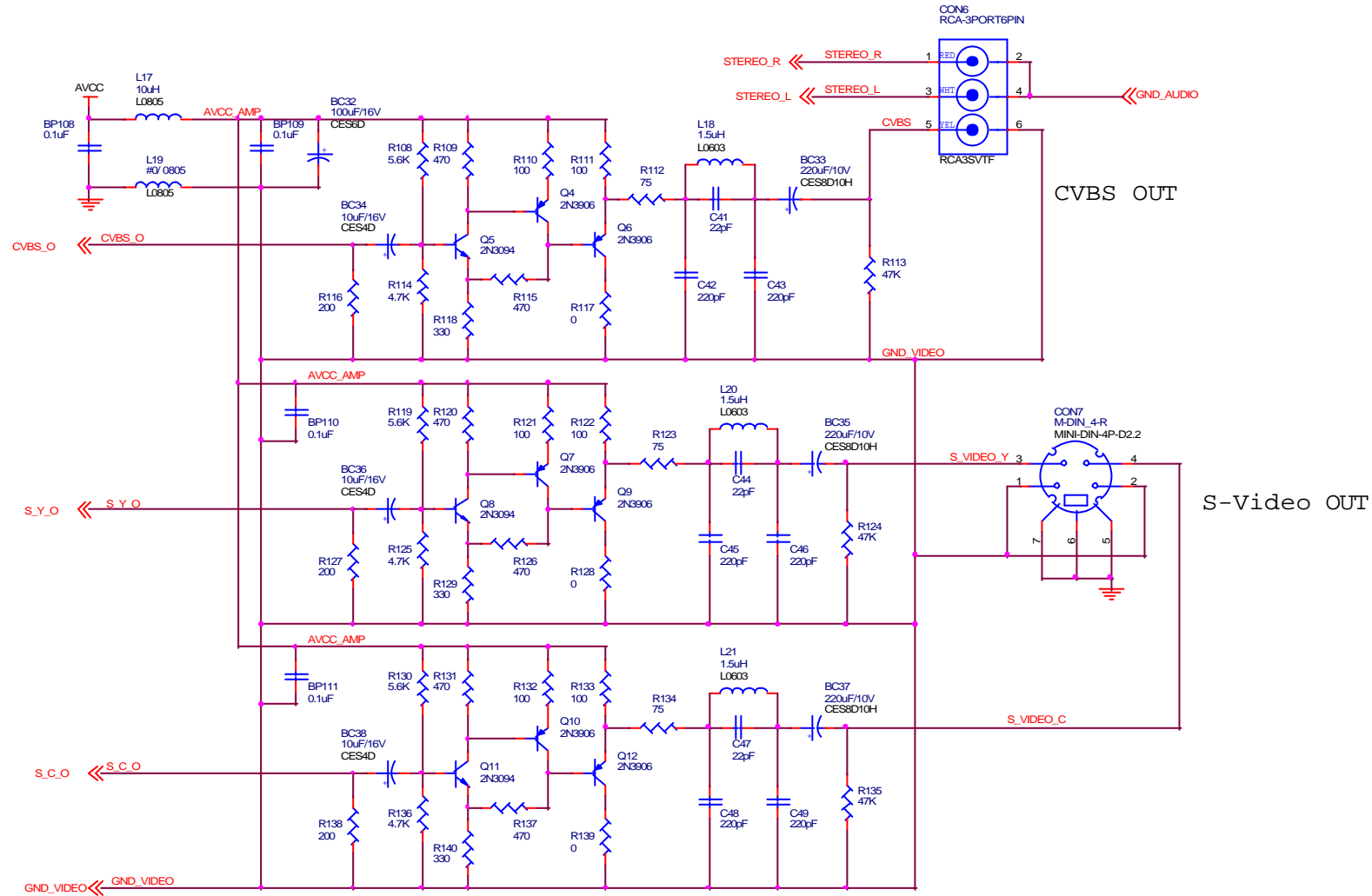


泰發科技		8F-1, 289, Section II, Kuan-Fu R.D. Hsinchu
Title TF-530 + VW2002: VCC/ GND (part B)		
Size B	Document Number TFDN-021101.01	Rev C
Date: Tuesday, November 09, 2004	Sheet 9	of 11



Stereo Out





泰發科技		8F-1, 288, Section II, Kuan-Fu R.D., Hsinchu	
Title TF-530 + VW2002: Low Pass Filter			
Size	Document Number	Rev	
Custom	TFDN-021101.01	C	
Date:	Tuesday, November 09, 2004	Sheet	11 of 11